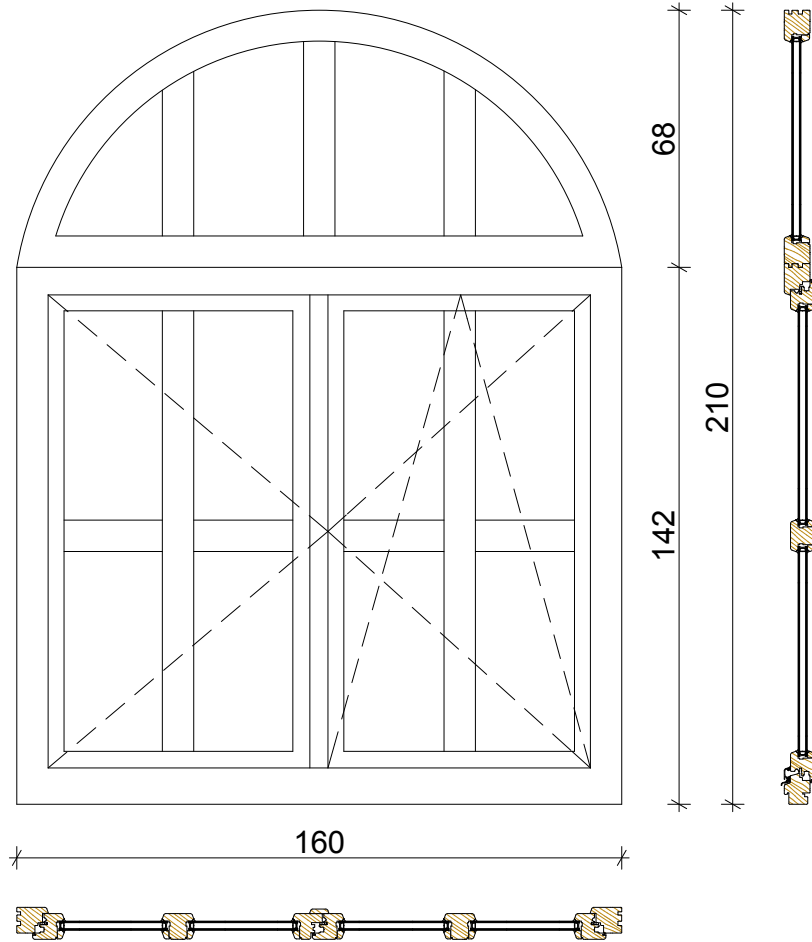
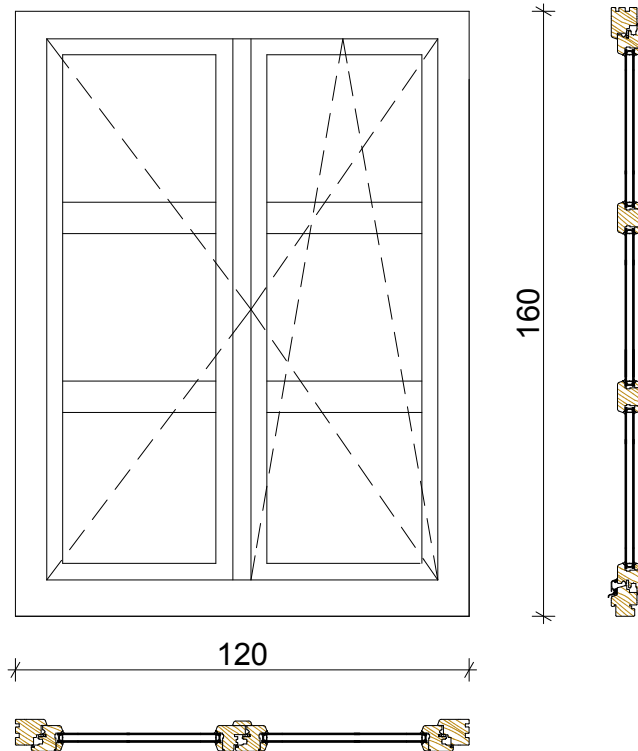


POS 1



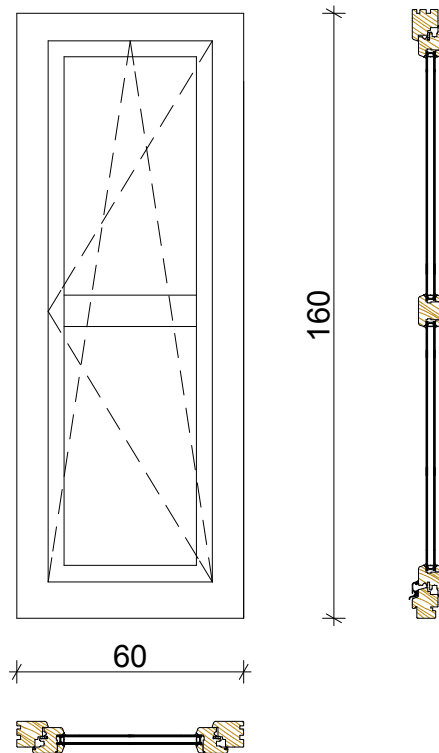
POS 1		Dimensions:	160 x 210		Quantity:	54
Description:	<p>Double sash tilt&amp;turn window with fixed arched skylight. System width 68mm. System must be certificated by next EN standards: EN 12207:2000 for airpermeability, EN 12208:2000 for watertightness and EN: 12210:2000 for resistance to wind load. Thermal conductivity <math>U_w \leq 1,5W/m^2K</math> by EN 10077-1 standard.</p>					
Wood:	Three layer laminated, without visible continuation of beams, I class spruce.					
Paint:	Water-based, painted in three layers. Ton of paint is choice of designer or supervisor body. Guaranty minimum 5 years.					
Hardware:	Tilt&turn, highest class, WinkHaus ActivPilot or equivalent.					
Glass:	Glass package with one low emission glass, min d=4mm, and other Float glass, min d=4mm. Space between glasses 16mm is loaded with argon. Thermal conductivity $U_g = 1,1W/m^2K$					
Installation:	Positions must be installed well, with guaranties for air permability and watertightness by RAL standard.					
Add-ons:	External aluminium window sill Internal wooden benches					
Remarks:	All measures to be checked on site					

POS 2



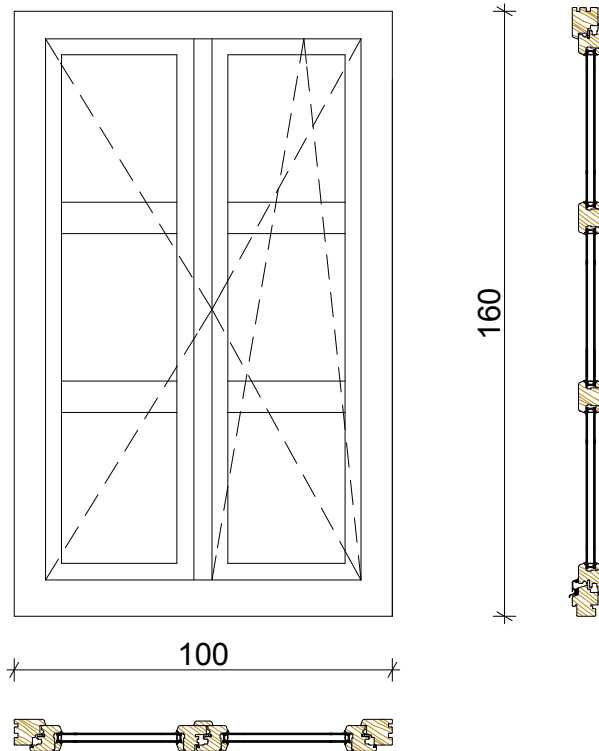
POS 2		Dimensions:	120 x 160		Quantity:	42
Description:	Double sash tilt&turn window. System width 68mm. System must be certificated by next EN standards: EN 12207:2000 for airpermeability, EN 12208:2000 for watertightness and EN: 12210:2000 for resistance to wind load. Thermal conductivity $U_w \leq 1,5W/m^2K$ by EN 10077-1 standard.					
Wood:	Three layer laminated, without visible continuation of beams, I class spruce.					
Paint:	Water-based, painted in three layers. Ton of paint is choice of designer or supervisor body. Guaranty minimum 5 years.					
Hardware:	Tilt&turn, highest class, WinkHaus ActivPilot or equivalent.					
Glass:	Glass package with one low emission glass, min d=4mm, and other Float glass, min d=4mm. Space between glasses 16mm is loaded with argon. Thermal conductivity $U_g = 1,1W/m^2K$					
Installation:	Positions must be installed well, with guaranties for air permability and watertightness by RAL standard.					
Add-ons:	External aluminium window sill Internal wooden benches					
Remarks:	All measures to be checked on site					

POS 3



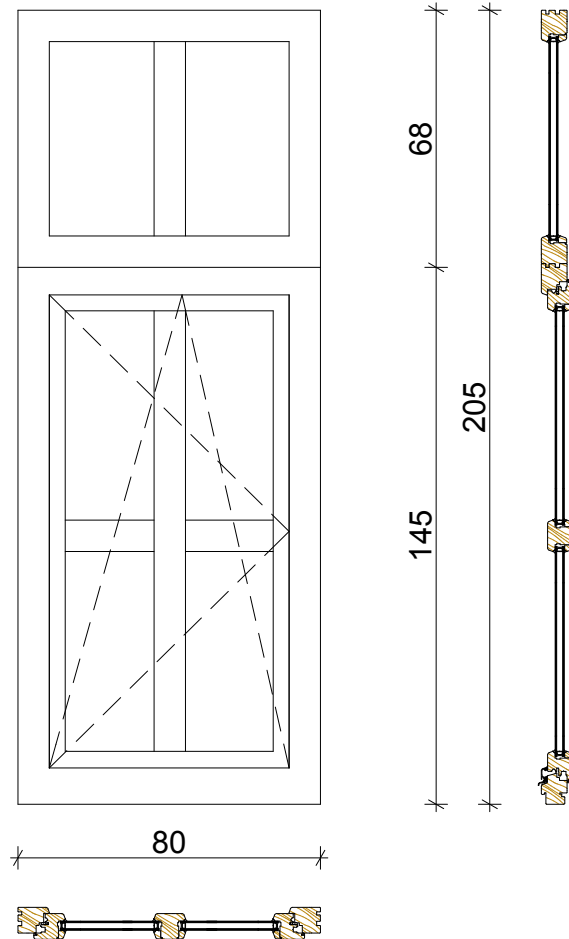
POS 3		Dimensions:	60 x 160		Quantity:	8
Description:	Single sash tilt&turn window. System width 68mm. System must be certificated by next EN standards: EN 12207:2000 for airpermeability, EN 12208:2000 for watertightness and EN: 12210:2000 for resistance to wind load. Thermal conductivity $U_w \leq 1,5W/m^2K$ by EN 10077-1 standard.					
Wood:	Three layer laminated, without visible continuation of beams, I class spruce.					
Paint:	Water-based, painted in three layers. Ton of paint is choice of designer or supervisor body. Guaranty minimum 5 years.					
Hardware:	Tilt&turn, highest class, WinkHaus ActivPilot or equivalent.					
Glass:	Glass package with one low emission glass, min d=4mm, and other Float glass, min d=4mm. Space between glasses 16mm is loaded with argon. Thermal conductivity $U_g = 1,1W/m^2K$					
Installation:	Positions must be installed well, with guaranties for air permability and watertightness by RAL standard.					
Add-ons:	External aluminium window sill Internal wooden benches					
Remarks:	All measures to be checked on site					

POS 4



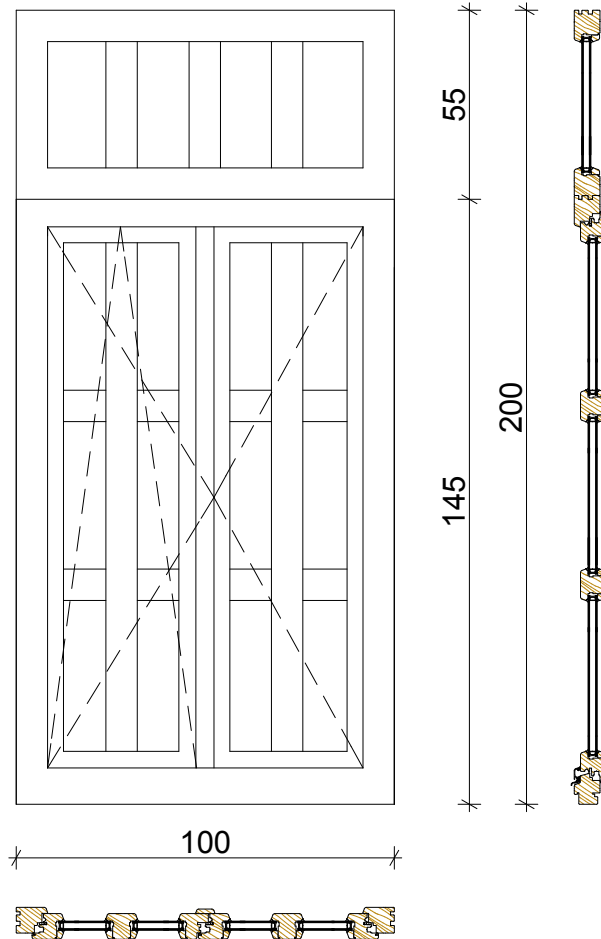
POS 4		Dimensions:	100 x 160		Quantity:	4
Description:	<p>Double sash tilt&amp;turn window. System width 68mm. System must be certificated by next EN standards: EN 12207:2000 for airpermeability, EN 12208:2000 for watertightness and EN: 12210:2000 for resistance to wind load. Thermal conductivity <math>U_w \leq 1,5W/m^2K</math> by EN 10077-1 standard.</p>					
Wood:	Three layer laminated, without visible continuation of beams, I class spruce.					
Paint:	Water-based, painted in three layers. Ton of paint is choice of designer or supervisor body. Guaranty minimum 5 years.					
Hardware:	Tilt&turn, highest class, WinkHaus ActivPilot or equivalent.					
Glass:	Glass package with one low emission glass, min d=4mm, and other Float glass, min d=4mm. Space between glasses 16mm is loaded with argon. Thermal conductivity $U_g = 1,1W/m^2K$					
Installation:	Positions must be installed well, with guaranties for air permability and watertightness by RAL standard.					
Add-ons:	External aluminium window sill Internal wooden benches					
Remarks:	All measures to be checked on site					

POS 5



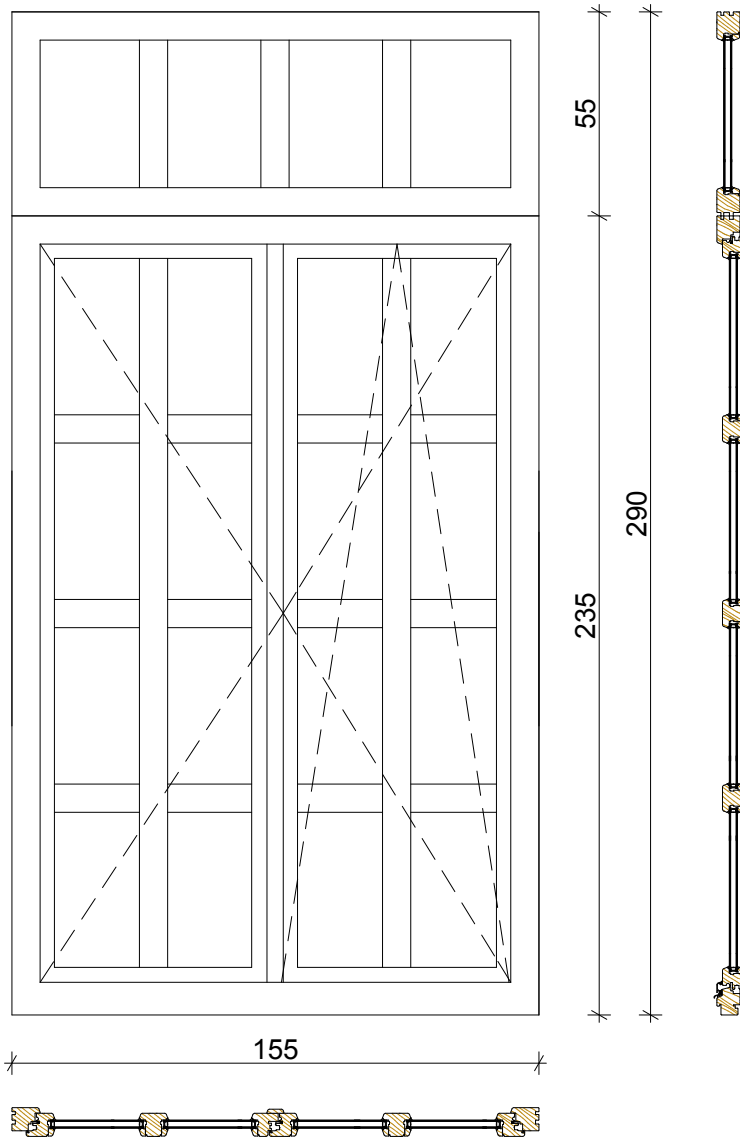
POS 5		Dimensions:	80 x 205		Quantity:	24
Description:	Single sash tilt&turn window with fixed skylight. System width 68mm. System must be certified by next EN standards: EN 12207:2000 for airpermeability, EN 12208:2000 for watertightness and EN: 12210:2000 for resistance to wind load. Thermal conductivity $U_w \leq 1,5W/m^2K$ by EN 10077-1 standard.					
Wood:	Three layer laminated, without visible continuation of beams, I class spruce.					
Paint:	Water-based, painted in three layers. Ton of paint is choice of designer or supervisor body. Guaranty minimum 5 years.					
Hardware:	Tilt&turn, highest class, WinkHaus ActivPilot or equivalent.					
Glass:	Glass package with one low emission glass, min d=4mm, and other Float glass, min d=4mm. Space between glasses 16mm is loaded with argon. Thermal conductivity $U_g = 1,1W/m^2K$					
Installation:	Positions must be installed well, with guaranties for air permability and watertightness by RAL standard.					
Add-ons:	External aluminium window sill Internal wooden benches					
Remarks:	All measures to be checked on site					

# POS 6



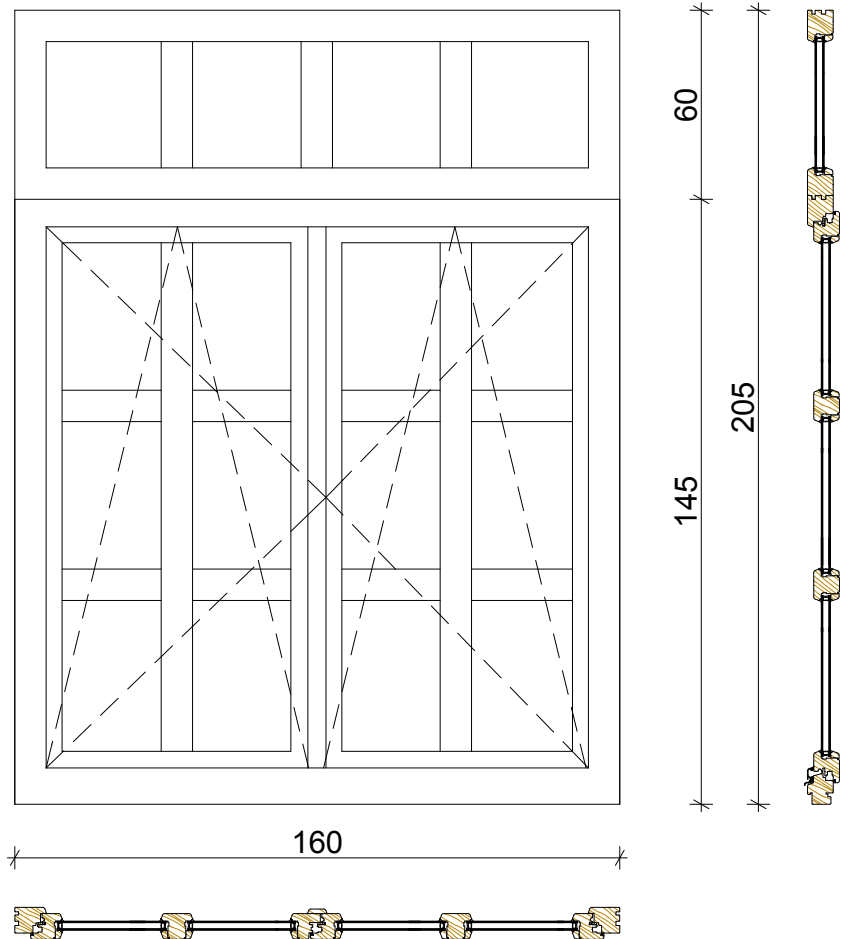
POS 6		Dimensions:	100 x 200		Quantity:	12
Description:	<p>Double sash tilt&amp;turn window with fixed skylight. System width 68mm. System must be certified by next EN standards: EN 12207:2000 for airpermeability, EN 12208:2000 for watertightness and EN: 12210:2000 for resistance to wind load. Thermal conductivity <math>U_w \leq 1,5W/m^2K</math> by EN 10077-1 standard.</p>					
Wood:	Three layer laminated, without visible continuation of beams, I class spruce.					
Paint:	Water-based, painted in three layers. Ton of paint is choice of designer or supervisor body. Guaranty minimum 5 years.					
Hardware:	Tilt&turn, highest class, WinkHaus ActivPilot or equivalent.					
Glass:	Glass package with one low emission glass, min d=4mm, and other Float glass, min d=4mm. Space between glasses 16mm is loaded with argon. Thermal conductivity $U_g = 1,1W/m^2K$					
Installation:	Positions must be installed well, with guaranties for air permability and watertightness by RAL standard.					
Add-ons:	External aluminium window sill Internal wooden benches					
Remarks:	All measures to be checked on site					

POS 7



POS 7	Dimensions:	155 x 290	Quantity:	2
Description:	<p>Double sash tilt&amp;turn balcony door with fixed skylight. System width 68mm. System must be certificated by next EN standards: EN 12207:2000 for airpermeability, EN 12208:2000 for watertightness and EN: 12210:2000 for resistance to wind load. Thermal conductivity <math>U_w \leq 1,5W/m^2K</math> by EN 10077-1 standard.</p>			
Wood:	Three layer laminated, without visible continuation of beams, I class spruce.			
Paint:	Water-based, painted in three layers. Ton of paint is choice of designer or supervisor body. Guaranty minimum 5 years.			
Hardware:	Tilt&turn, highest class, WinkHaus ActivPilot or equivalent.			
Glass:	Glass package with one low emission glass, min d=4mm, and other Float glass, min d=4mm. Space between glasses 16mm is loaded with argon. Thermal conductivity $U_g = 1,1W/m^2K$			
Installation:	Positions must be installed well, with guaranties for air permability and watertightness by RAL standard.			
Add-ons:	External aluminium window sill Internal wooden benches			
Remarks:	All measures to be checked on site			

# POS 8



POS 8		Dimensions:	160 x 205		Quantity:	104
Description:	<p>Double sash tilt&amp;turn window with fixed skylight. System width 68mm. System must be certificated by next EN standards: EN 12207:2000 for airpermeability, EN 12208:2000 for watertightness and EN: 12210:2000 for resistance to wind load. Thermal conductivity <math>U_w \leq 1,5W/m^2K</math> by EN 10077-1 standard.</p>					
Wood:	Three layer laminated, without visible continuation of beams, I class spruce.					
Paint:	Water-based, painted in three layers. Ton of paint is choice of designer or supervisor body. Guaranty minimum 5 years.					
Hardware:	Tilt&turn, highest class, WinkHaus ActivPilot or equivalent.					
Glass:	Glass package with one low emission glass, min d=4mm, and other Float glass, min d=4mm. Space between glasses 16mm is loaded with argon. Thermal conductivity $U_g = 1,1W/m^2K$					
Installation:	Positions must be installed well, with guaranties for air permability and watertightness by RAL standard.					
Add-ons:	External aluminium window sill Internal wooden benches					
Remarks:	All measures to be checked on site					